



JOB NAME:	CONTRACTOR:
JOB LOCATION:	APPROVAL:
ENGINEER:	CONTRACTOR P.O.:
APPROVAL:	REPRESENTATIVE:

8E864 LF-0*

250N LF DIRECT MOUNT, 2-WAY BRASS, FULL PORT BALL VALVE W ELECTRIC ACTUATOR

SIZES 1/4" TO 1-1/4"

*002 24V AC/DC	*003 100-240V AC
----------------	------------------

SPECIFICATIONS

The "Mini" 8E864LF series is ideally suited for applications where space and reliability is a must. This compact unit features a hardened, dent-resistant polymer electric motor and an 30" pigtail wire for quick hook-up, in either 2-point or 3-point control mode.

The IP65 housing is resistant to dusty environments and to areas where water may be sprayed.

This series, due to its lightweight design, can be installed in either vertical or horizontal position. When the valve is in the open position, an LED light will come on to sign "OPEN"

ACTUATOR FEATURES

- UL® Certified
- 24V AC/DC & 100-240V AC Models Available.
- 120V AC - 75% Duty Cycle w/ 8 sec. cycle time.
- 24V AC/DC - 50% Duty Cycle w/ 6.5 sec. cycle time
- High-Strength, Impact Resistant IP65 Technopolymer Housing.
- One auxiliary SPDT contact on closed.
- Temperature Range 23°F to 131°F
- ISO 5211, F03/F05 base w/ 11mm female drive.
- Anti-condensation heater
- Quiet operation w/ LED light in open position.
- Output Torque 89 in/Lbs.
- 30" pigtail for quick installation
- Absorbed current for 120V AC is 4A
- Absorbed current for 24V AC/DC is 6A

VALVE FEATURES

- Lead free Brass
- Full Port, Sizes 1/4" to 1-1/4"
- ISO 5211 pad and square stem
- Pressure rating to 600 WOG
- Temperature range -4°F to 366°F
- Low torque design with back up o-ring seats
- Double o-ring stem seal design for extended cycle life
- 100% electronically tested in the open and closed position@80 Psi

PRESSURE TEMPERATURE CHART FOR 250N LF

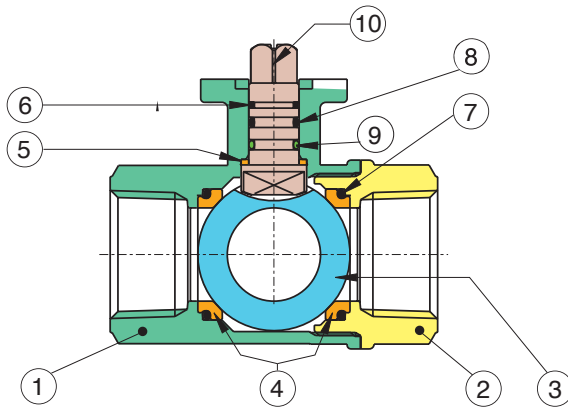
Temperature (°F)	Pressure (Psi)
0	600
100	600
176	600
200	500
300	200
366	100
400	0

WIRING MODES

2-Point Control Mode

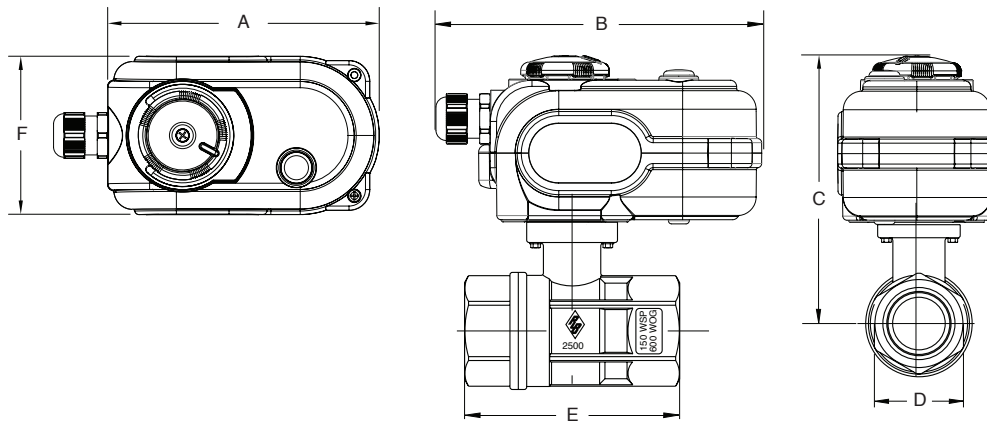
3-Point Control Mode

BILL OF MATERIALS FOR 250N LF



N POS	PART NAME	MATERIAL	N PCS
1	BODY	LF BRASS C28500	1
2	END CONNECTION	LF BRASS C28500	1
3	BALL	LF BRASS C28500	1
4	BALL SEAT	P.T.F.E.	2
5	THRUST WASHER	P.T.F.E.	1
6	STEM SEAL	P.T.F.E.	1
7	O-RING	FKM (Viton®)	2
8	O-RING	EPDM	1
9	O-RING	FKM (Viton®)	1
10	STEM	LF BRASS C28500	1

DIMENSIONS



Size	A	B	C	D	E	F	ACT.
1/4"	5.11	6.16	4.43	1.32	2.64	2.99	VB010
3/8"	5.11	6.16	4.43	1.32	2.64	2.99	VB010
1/2"	5.11	6.16	4.43	1.32	2.64	2.99	VB010
3/4"	5.11	6.16	4.51	1.57	2.99	2.99	VB010
1"	5.11	6.16	4.94	1.93	3.35	2.99	VB010
1-1/4"	5.11	6.16	5.08	2.30	3.66	2.99	VB010